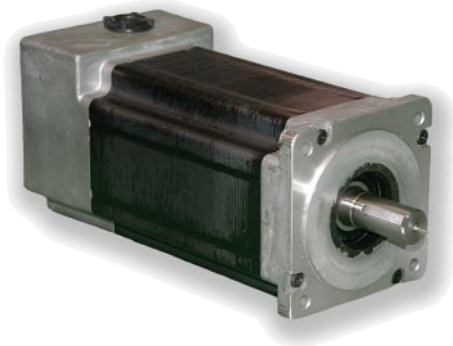


34N65 Series - IP65 Sealed Stepper Motors



FEATURES

- **NEMA 34 Frame Size**
- **1.8° Natural Step Angle**
- **Torque Ratings Up to 2180 oz-in**
- **Sealed per IP65 Standard for Splashproof**
- **Substantial Increase In Torque Over Standard Motors**
- **High Acceleration and Increased Rotor Inertia**
- **4 Stack Lengths**
- **Microstep Increments as Small as 0.0072° (with our MBC082561 driver)**
- **3% Typical Step Accuracy**
- **Rugged Construction**
- **Higher Temperature Characteristics**
- **CE Certified and RoHS Compliant**



DESCRIPTION

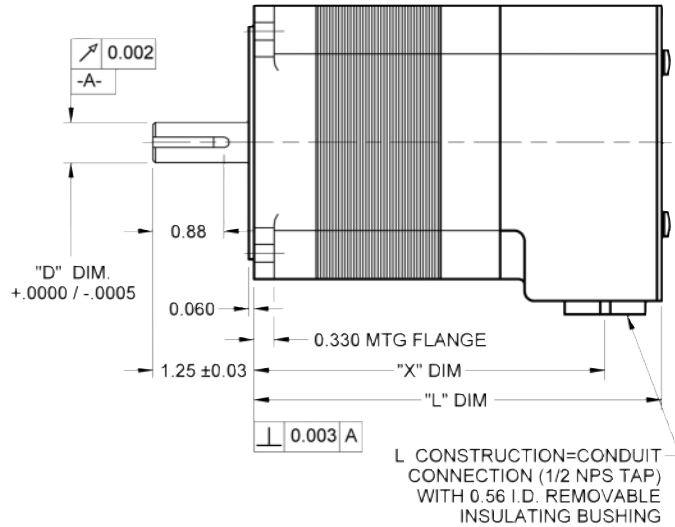
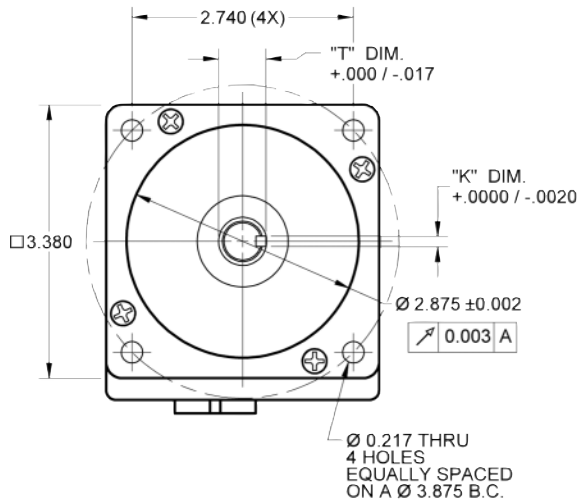
The 34N65 Series High Torque Stepper Motors use advanced magnetic technologies to provide significantly higher torque levels than what is available in standard round motors. They are also sealed around the shaft and conduit box making them splashproof and perfect for applications requiring an IP65 rated stepper. These motors are available in a variety of windings to meet any application specific requirement. The torque levels reached with this stepper motor line make them cost effective alternatives to servo motors in many applications. These motors can be specified in place of standard motors to reduce system size and cost, or increase system performance, without the need to go to larger sized motors or drivers.

See Accessories on our website for optional motor adders, such as encoders, brakes cables and connectors. For gearbox options, see our GBPH Series gearboxes. For Compatible drivers, consider our popular MBC082561, MBC10641, MBC12101, and MLA10641 drivers, or Driver Packs.

SPECIFICATIONS

Model #	NEMA Size	Bipolar Torque (oz-in)	Series Current (A)	Unipolar Current (A)	Parallel Current (A)	Unipolar Inductance (mH)	Rotor Inertia (oz-in-sec ²)	Shaft Diameter (in)	# of Terminals	Weight (lbs)	L Length (in)
34N65104S-CB8	34	635	1.4	2.0	2.8	12.5	0.020	0.500	8	5.00	4.44
34N65108S-CB8	34	645	2.7	3.9	5.4	3.5	0.020	0.500	8	5.00	4.44
34N65112S-CB8	34	650	4.3	6.1	8.6	1.4	0.020	0.500	8	5.00	4.44
34N65207S-CB8	34	1195	2.5	3.5	5.0	6.50	0.038	0.500	8	8.40	5.96
34N65214S-CB8	34	1195	5.0	7.1	10.0	1.80	0.038	0.500	8	8.40	5.96
34N65307S-CB8	34	1710	2.5	3.5	5.0	9.00	0.057	0.625	8	11.9	7.48
34N65314S-CB8	34	1715	5.0	7.0	10.0	2.30	0.057	0.625	8	11.9	7.48
34N65412S-CB8	34	2180	4.4	6.2	8.8	4.70	0.075	0.625	8	15.1	8.99
34N65416S-CB8	34	2140	5.6	8.0	11.2	2.60	0.075	0.625	8	15.1	8.99

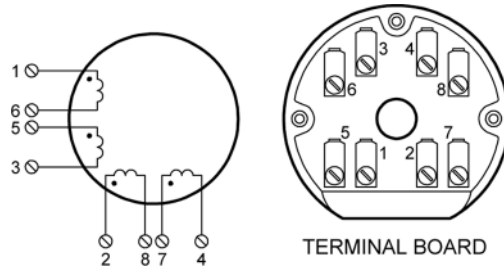
L010432



(All units are inches)

Connection	Lead Wire Connection	Terminal #
4 - Lead Bipolar Series MBC or MLP Series	A	1
	/A	3
	B	2
	/B	4
	None	6 & 5
4 - Lead Bipolar Parallel MBC or MLP Series	None	8 & 7
	A	1 & 5
	/A	3 & 6
	B	2 & 7
6 - Lead Unipolar BLD, TM Series	/B	4 & 8
	Phase 1	1
	Phase 3	3
	Phase 2	2
	Phase 4	4
	Common Phase 1 & 3	6 & 5
	Common Phase 2 & 4	8 & 7

PART NUMBER	"D"	"K"	"T"	"X"	"L"
34X1XXS-CB8	.5000	.1250	.555	3.70	4.44
34X2XXS-CB8	.5000	.1250	.555	5.22	5.96
34X3XXS-CB8	.6250	.1875	.705	6.74	7.48
34X4XXS-CB8	.6250	.1875	.705	8.25	8.99



Step Angle Accuracy:	+/- 3.0%	Insulation Type:	Class B
Resistance Accuracy:	+/- 10%	Insulation Resistance:	100M ohms @ 500VDC
Full Step Angle:	1.8°	Max Radial Force:	20lbs
Ambient Temperature:	-20° C - 40° C	Max Axial Force:	13lbs