

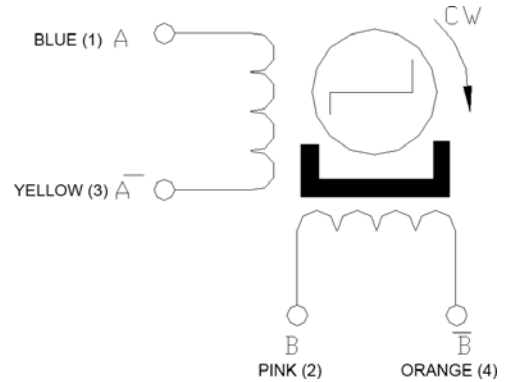
TGM30-075-18-12V-004A-85R-LW4



- Permanent Magnet Stepper GearMotor
- High torque in a Small Package at a Low Cost
- 400 g-cm of Torque
- 85.25:1 gear Ratio
- 30 mm diameter

Specifications

Item	Specifications
Step Angle Accuracy	± 7% (full step, no load)
Resistance Accuracy	± 10%
Inductance Accuracy	± 20%
Temperature Rise	80° C Max
Ambient Temperature	-20°C to +50°C
Insulation Resistance	100M Ω Min. ,500VDC
Dielectric Strength	500VAC for one minute



Model	Step Angle (deg)	Gear Ratio	# of Wires	Voltage (V)	Current per Phase (A)	Holding Torque (g.cm)	Detent Torque (g.cm)
TGM30-075-18-12V-004A-85R-LW4	7.5	85.25:1	4	12	0.04	400	300

