

MBC25P22 Programmable Pulse Generator/ Driver



FEATURES

- 2.5A Peak Output Current Per Driver
- 200 to 1600 Steps/Revolution (1, 2, 4 and 8 Selectable Step Operation)
- Drives Two Motors
- On-Board Programmable Pulse Generator
- Pulses From 152Hz to 50,000Hz
- Analog Potentiometer Input for Maximum Speed
- Clock Output for Daisy Chaining
- Busy Output
- Motor On/Off Input and Automatic Current Reduction
- Short Circuit Protection



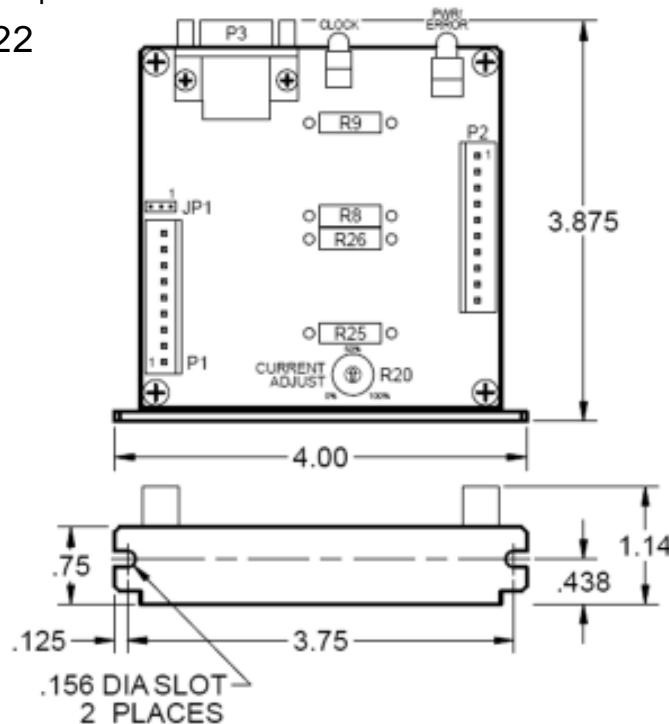
DESCRIPTION

General Description

Anaheim Automation has developed a step motor driver specifically for the feed-conveyor industry, where high motor speed and precise synchronization is required. Anaheim Automation's engineers have incorporated two driver chips to eliminate the load-sharing issues that typically slowed down motors in earlier designs. This design enables the motors to be run at 50% higher speeds than our earlier designs with no additional cost. The MBC25P22 microstep driver/pulse generator has an output current capability of 0.5A minimum to 2.5A maximum (peak rating). The MBC25P22 driver operates with a DC voltage of 12VDC to 35BDC. The MBC25P22's internal PG (pulse generator) has two different programmable motion profiles and an optional analog input for a potentiometer or equivalent input to control the maximum speed. The MBC25P22 has various step resolutions that range from 200 steps/rev to 1600 steps/rev. The bipolar drive configuration handles 4, 6, and 8 lead step motors and is also equipped with short circuit, over temperature and crossover current protection. The MBC25P22 communicates via RS232 communication. The easy to use Windows software, SMPG20WIN, is used to directly set up the two different motion profiles..

DIMENSIONS

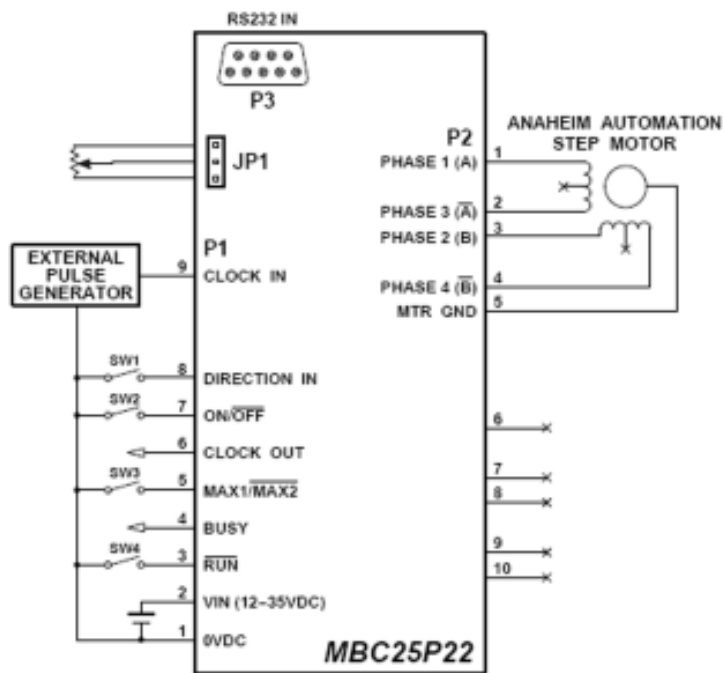
MBC25P22



*All units are in inches

L010142

One Motor Hookup



Specifications

Power Requirements:	12 - 35VDC
Output Current Range:	TA = 25 °C 0.5 - 2.5A Peak
Clock Out Frequency: (P1, Pin 6)	152Hz - 50kHz
Driver Chopping Frequency:	25kHz - 30kHz
Operating Temperature:	0° C to 70° C

Ordering Information

Model #	Description
MBC25P22	Dual 2.5A Microstep Driver with integrated Programmable Pulse Generator
PSAM24V2.7A	Power supply for MBC25P22 (24V@2.7A)
CON-6404289	Optional 9 pin connector, 0.156" IDC (AMP part no. 640428-9)
CON-16404280	Optional 10 pin connector, 0.156" IDC (AMP part no. 1-640428-0)
AA9MFC-6	6 foot serial communication cable, Male to Female