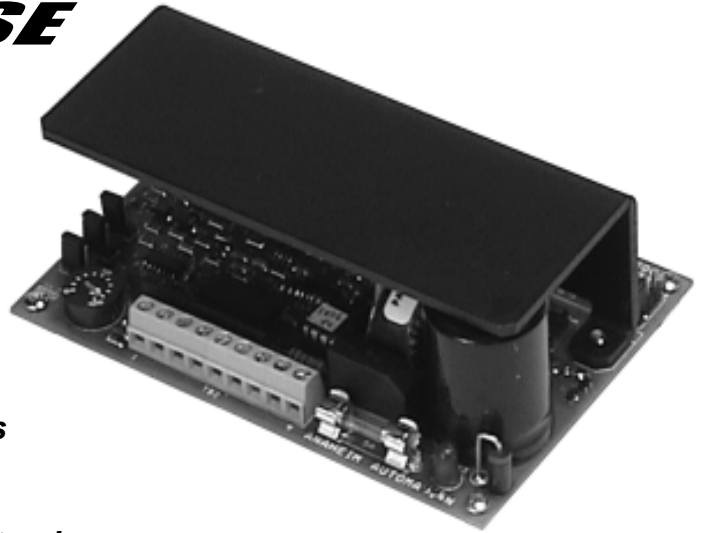


PRODUCT RELEASE

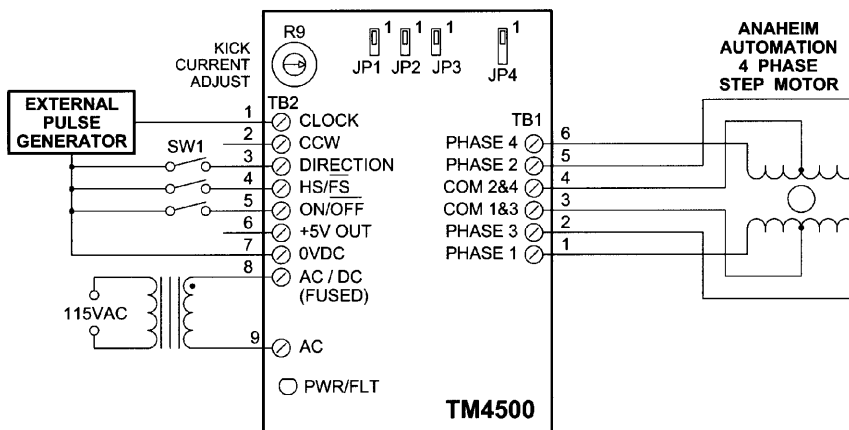
TM4500 Track Mount Driver

- 1.0-4.5 Amperes/Phase Operating Current
- Higher Torque/Speed Output
- Short Circuit Protection
- Open Motor Wire Detection
- No RFI or EMI Problems
- Requires 7-28 VAC or 10-40 VDC
- TTL-CMOS Compatible Inputs
- Receives Positive or Negative Going Clocks
- Full Step or Half Step Operation
- Motor Turn Off Provisions
- Open Frame Circuit Board Mounts on Snaptrack

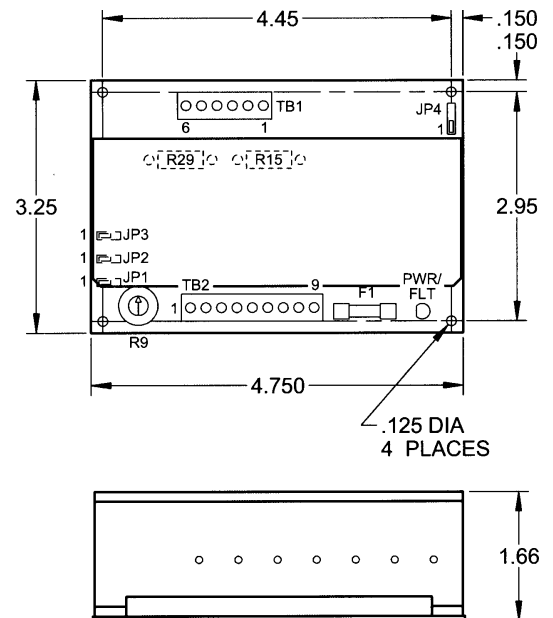


The TM4500 driver is a low cost, unipolar step motor driver designed for 4 phase step motors. The TM4500 is a track mount driver, meaning that it can be quickly mounted on easy to use snaptrack (sold separately). The TM4500 allows the option of using full-step or half-step operation, giving the user the ability to step in either 1.8° or 0.9° increments. The driver can be powered by an AC or DC voltage. For AC operation, the driver may be purchased with a recommended step down transformer. A single transformer may be used to power up several drivers based on power consumption. A major advantage that the TM4500 has over chopper drivers, is that the TM4500 is designed to use bilevel technology. This means that it has replaced the need for high frequency switching techniques, consequently it does not create the EMI, RFI, and motor heating problems that are associated with chopper drivers. This technique makes the TM4500 suitable for applications where low noise requirements are a must. It is especially useful for medical equipment, test instruments, positioning systems, and any other application where noise may be a problem.

Hook Up Diagram:



Dimensions:



ANAHEIM AUTOMATION

910 East Orangefair Lane, Anaheim, CA 92801
e-mail: info@anaheimautomation.com

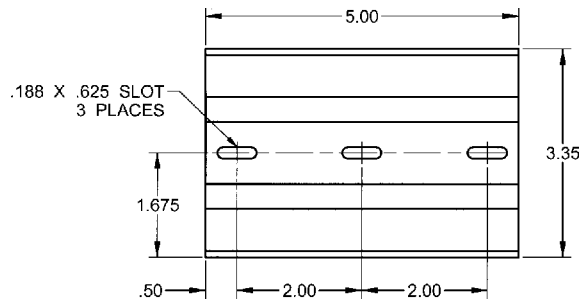
(714) 992-6990 fax: (714) 992-0471
website: www.anaheimautomation.com

Ordering Information

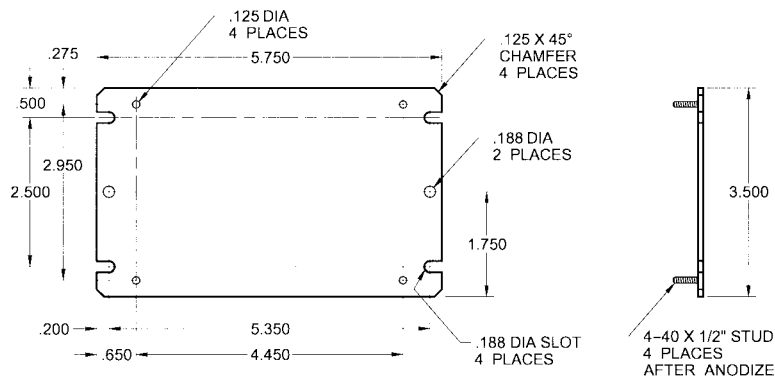
Part #	Description
PSA40V4A	DC Power Supply 40VDC at 4 Amps
PSA24V2.7A	DC Power Supply 24VDC at 2.7 Amps
PSA40V8A	DC Power Supply 40VDC at 8 Amps
AA2295	AC Transformer 100 Watt
AA2784	AC Transformer 200 Watt
AA2785	AC Transformer 300 Watt
AA3963	5" Mounting Track
AA2750A	Mounting Plate & Hardware

Note: The AA2784 is the recommended transformer. For additional info on other transformers please contact the factory.

AA3963 - Mounting Track



AA2750A - Mounting Plate



ANAHEIM AUTOMATION

910 East Orangefair Lane, Anaheim, CA 92801
e-mail: info@anaheimautomation.com

(714) 992-6990 fax: (714) 992-0471
website: www.anaheimautomation.com